



HAWK ENTERPRISES OF ELKHART, INC

Harrier Backpack Vacuum

Owner's Manual

Operation • Care • Service



ASSEMBLED IN USA



Hawk Enterprises
2902 Park Six Court
Elkhart, IN 46514

Phone: 574-294-1910
Toll Free: 888-289-4295

Fax: 574-970-0289
Toll Free 866-429-5329

HARRIER OWNERS MANUAL

IMPORTANT SAFETY INSTRUCTIONS

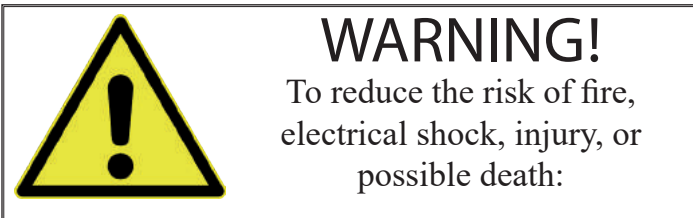
~ Continued ~



IMPORTANT SAFETY INSTRUCTIONS

When using electrical appliance, basic precautions should always be followed, including the following:

READ ALL INSTRUCTIONS BEFORE USING THIS VACUUM



1. DO NOT use outdoors, on wet surfaces, or for wet pick up.
2. DO NOT use motorized nozzle on wet surfaces.
3. DO NOT use to pick up flammable or combustible liquids such as gasoline or use in areas when they may be present.
4. DO NOT pick up anything that is burning or smoking, such as cigarettes, matches, or hot ashes.
5. DO NOT handle plug or machine or attachments with wet hands.
6. TURN OFF all controls before unplugging.

7. DO NOT unplug by pulling on cord. To unplug, grasp the plug - not the cord.
8. DO NOT leave machine when plugged in. Unplug from outlet when not in use or before servicing.
9. ALWAYS turn off the HARRIER before connection or disconnecting motorized nozzle.
10. DO NOT use without cloth filter bag and filters in place.
11. DO NOT use with a damaged cord or plug. If machine is not working as it should, has been dropped, damaged, left outdoors, or dropped into water, return it to a service center before continuing to use it.
12. DO NOT pull or carry by cord, use cord as a handle, close door on cord, or pull cord around sharp corners or edges. Do not run machine or attachments over cord. Keep cord away from heated surfaces.
13. DO NOT put any object into the housing openings. Do not use with any opening blocked; keep free of dust, lint, hair, and anything that may reduce air flow.
14. USE EXTRA CARE when cleaning stairs.
15. The HARRIER is not a toy. DO NOT allow children to operate or play with this machine.
16. KEEP hair, loose clothing, fingers, and all parts of body away from openings and moving parts.
17. USE ONLY as described in this manual. Use only manufacturer's recommended attachment.
18. CONNECT to a properly grounded outlet only. See grounding instructions as follows: (pg-2)

IMPORTANT SAFETY INSTRUCTIONS

GROUNDING INSTRUCTIONS

This machine must be grounded. If it should malfunction or break down, grounding provides a path of least resistance for electrical current to reduce the risk of electric shock. This machine is equipped with a cord having an equipment-grounding conductor and grounding plug. The plug must be plugged into an appropriate outlet that is properly installed and grounded in accordance with all local codes and ordinances.

DANGER - Improper connections of the equipment grounding can result in a risk of electric shock. Check with a qualified electrician or service person if you are in doubt as to whether the outlet is properly grounded. Do not modify the plug provided with the machine. If it will not fit the outlet, have a proper outlet, installed by a qualified electrician.

This machine is for use on a nominal 120 volt circuit and has a grounding plug that looks like the plug in the sketch below. Make sure that the machine is connected to an outlet having the same configuration as the plug. No adapter should be used with this machine (Fig.1).

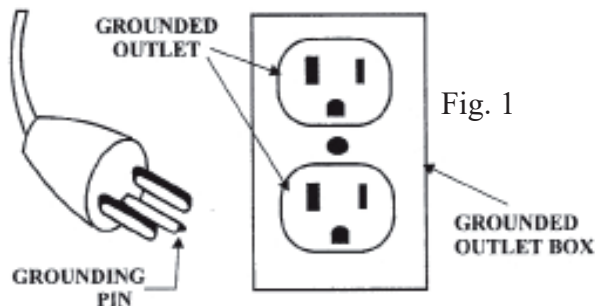


Fig. 1

SAVE ALL OF THESE INSTRUCTIONS!

FOR COMMERCIAL USE

INSTRUCTIONS FOR ASSEMBLY, USE MAINTENANCE OF YOUR HARRIER VACUUM CLEANER

You have purchased the most efficient, convenient and cost effective tool available for doing any dry pick-up cleaning job in the least amount of time., i.e. carpeted and hard wood floor ares, baseboards, stairs, walls, ceilings, furniture and any hard to get areas. As with any specialized tool, proper care should be taken to insure its service to you for many years. Please read and follow these instructions carefully before using. So you can take advantage of all of its benefits. To prepare for use, remove all the parts from the box. Remove all the cleaning tools and any packaging material. Before using this machine, **BE SURE THE CLOTH BAG IS ALWAYS IN PLACE.**

USE OF THE HARRIER AS A BACKPACK

To use properly, face the back plate and put the harness on your back as you would a vest by grasping the right shoulder strap in your left arm through the strap. Grasp the bottom of the case with your right hand and move the unit left so you can put your left arm through the other strap. Loosen the shoulder straps enough to allow the waist belt to buckle around your waist. Buckle and tighten the waist belt around your waist first, then tighten shoulder straps until they are comfortable, using all four adjustment points. Do not over tighten shoulder straps



Fig. 2

To attach the hose to the lid, press the hose end in until it locks in place (Fig. 3).

To remove, pull hose end out of the lid.



Fig. 3

With the hose locked into the lid, bring the hose over your shoulder from the rear position in between your arm and your body to keep it from catching on objects as you work (Fig. 4).

Fig. 4



To put the wands or tools (on the hose end:
(For friction-fit wands and tools, push the wand or tools on and twist it 1/4 turn to lock it in place. Use the “bleeder valve” on the plastic bent wand to control suction for cleaning curtains, etc.

Because the HARRIER will protrude from your back, care should be taken not to accidentally bump into objects such as lamps and other breakable items.



Fig. 5

Because the HARRIER will protrude from your back, care should be taken not to accidentally bump into objects such as lamps and other breakable items.

The HARRIER relies on suction and airflow to perform well. If you are using the cloth filter bag alone, you should dump and shake out bag every two to three hours of cleaning.

Using your free hand, pull the cord along as you move to keep it from catching on furniture and corners. This will help protect breakable fixtures and the cord from damage. You can also use your free hand to move large objects to clean underneath, and pick up debris too large to vacuum.

Carry the HARRIER by the built-in-handle on the harness- NOT BY THE CORD! (Fig. 6)

Fig. 6



MAINTENANCE

When you have finished cleaning, shake out the cloth filter bag or check the paper bag to see if it's full and if so, dispose of it. Wipe it off inside and out using a dry cloth. Occasionally you may have to wash out or launder the cloth filter bag if you accidentally pick up moisture that would clog the pores. Regular daily maintenance will provide reliable service while increasing productivity.

IMPORTANT!

The HARRIER is a high efficiency, super suction vacuum requiring a large volume of air to cool the motor. Be sure to keep all airways clear and free of debris to maintain airflow efficiency and low motor temperature. Pick up large pieces of debris by hand. If you should accidentally plug the hose with debris (you will notice a significant loss of suction), use a broom handle or other like object to free the obstruction. Also, check the airway in your cleaning tool.

DO NOT PICK UP LIQUID'S as they will cake the cloth filter bag and could cause electrical shock. If you ACCIDENTALLY pick up any liquid, wash and dry the bag immediately. Be sure the bag is COMPLETELY dry before using it again.

AUTOMATIC SHUT OFF

Plugging the airway for an extended period will result in the vacuum shutting off to prevent motor damage due to overheating. If this occurs, press the switch to turn the vacuum to its "OFF" position and wait about 5 minutes for the motor to cool to a safe operating temperature. Be sure to determine the cause of overheating and rectify the problem before using again, or it will continue to overheat and shut off. In some instances, very fine dirt can clog the cloth filter bag enough to cause the vacuum to shut off. If you are using the paper bag, check to see if it's full and replace it if necessary. If you are using the cloth filter bag alone, we recommend that you have a spare clean cloth filter as a backup. You can switch bags and launder the dirty cloth filter bag. DO NOT WASH OR DRY THE BAG IN HOT TEMPERATURES (above 130 degrees F) Air drying is recommended. Be sure the bag is thoroughly dry before using it.

Keep the HARRIER clean inside and out. If you are using the cloth filter bag alone, always dump that bag after a maximum of 4 hours of use (Fig. 7).

Fig. 7



If you are using a paper bag inside the cloth filter bag, replace the bag when full or if it should develop any holes.

Fig. 8



If you have vacuumed any material you don't want getting into the atmosphere, turn the vacuum off while remove the lid and check or replace the bags.

If you have any questions regarding the use and/or maintenance of the HARRIER please contact your nearest Hawk representative.

ONE YEAR LIMITED WARRANTY

Your HARRIER vacuum cleaner is warranted to be free from defects in material and workmanship. This warranty extends for a period of one year parts and six months labor, from the original purchase date, by the first consumer purchaser.

The Warranty does not cover parts which require replacement in the ordinary course of use of the cleaner due to normal wear; these parts include: motor (after being used to the end of its normal life), motor brushes, filter, cloth filter bag, cleaning attachments, turbo power brush, and electric power head. This warranty also does not cover damaged to or failure or malfunction of the cleaner as a whole, or any part thereof, caused by improper or negligent use or abuse.

Typical areas of abuse are:

- Rust and corrosion or other damage caused by moisture, chemicals or detergents.
- Any vacuum motor which has been disassembled, modified in any way, or upon which field repair has been attempted.
- Any vacuum showing physical abuse such as broken case, parts, fraying cord or motor damage.
- An excess amount of dirt or foreign objects in motor indicating improper filtration.
- Paint, glue or other substances applied to vacuum or motor.
- Any motor where commutator wear indicates that the motor has been used to the full extent of its normal life, REGARDLESS OF THE DATE STAMP.

Repairs to the HARRIER under warranty must be performed by an authorized warranty service station. If any unauthorized repairs are made, HAWK ENTERPRISES reserves the right to make sole

determination as to whether or not the repairs are reimbursable and, also, if the warranty remains in force or is cancelled by virtue of the unauthorized repairs.

In the event of a defect, malfunction or failure of any part covered under the warranty, return your unit to an authorized warranty service station.

Shipper must package the machine so that it will arrive free from freight damage and prepay all transportation costs to the warranty service station. The carrier, acting as customer's agent, assumes all responsibility including internal damage. Enclose **INSIDE OR SECURELY ATTACH TO THE MACHINE** the following information:

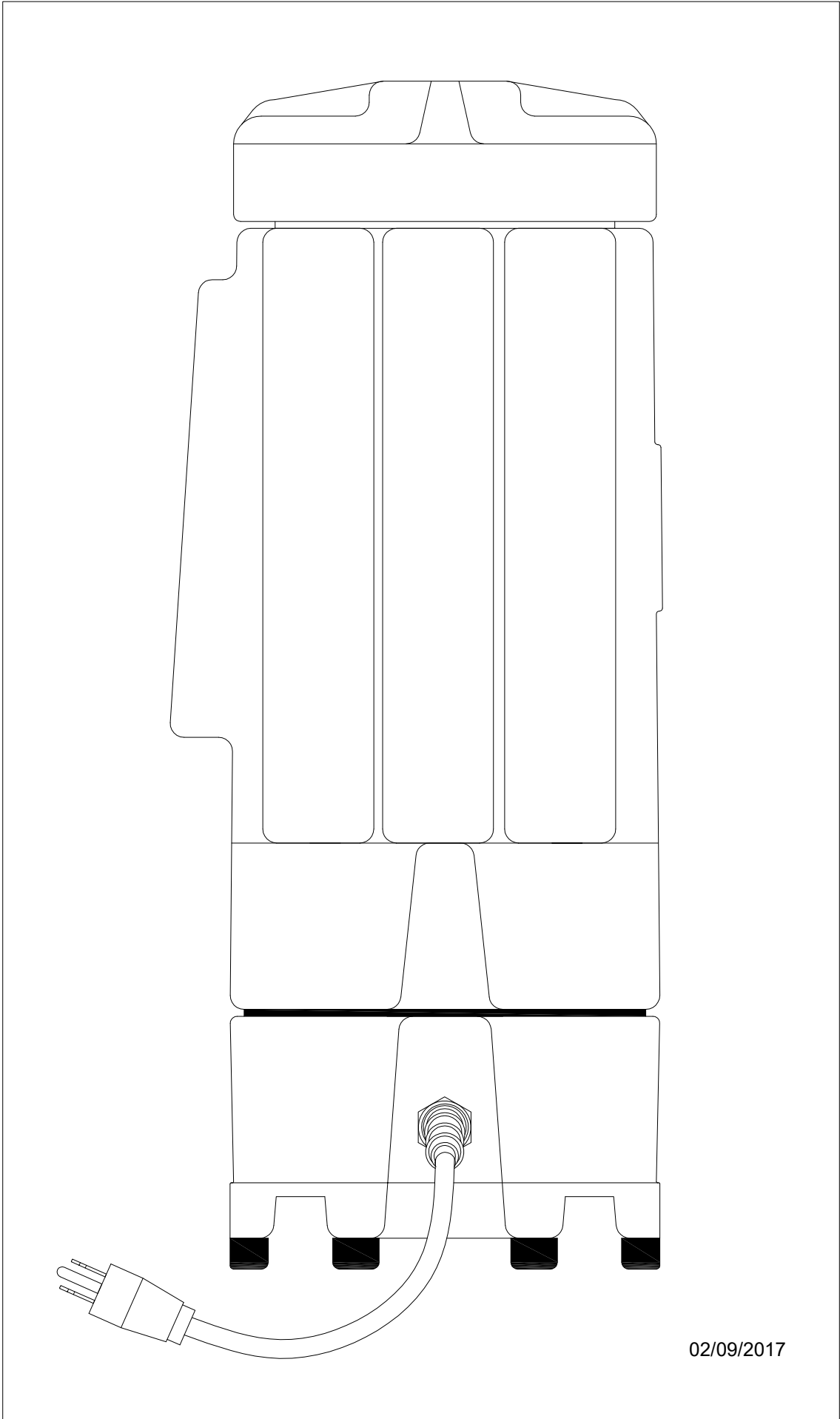
1. Shippers name, address (including zip code) and phone number
2. Proof of the date of purchase and serial number of the machine.
3. Description of the problem.

Under normal conditions, your unit will be repaired and shipped out within 48 hours from the time it arrives at the warranted service station. The customer will not be charged for parts or labor, to repair or replace any part which is under warranty. Hawk Enterprises will pay transportation costs to return repaired cleaner to the customer.

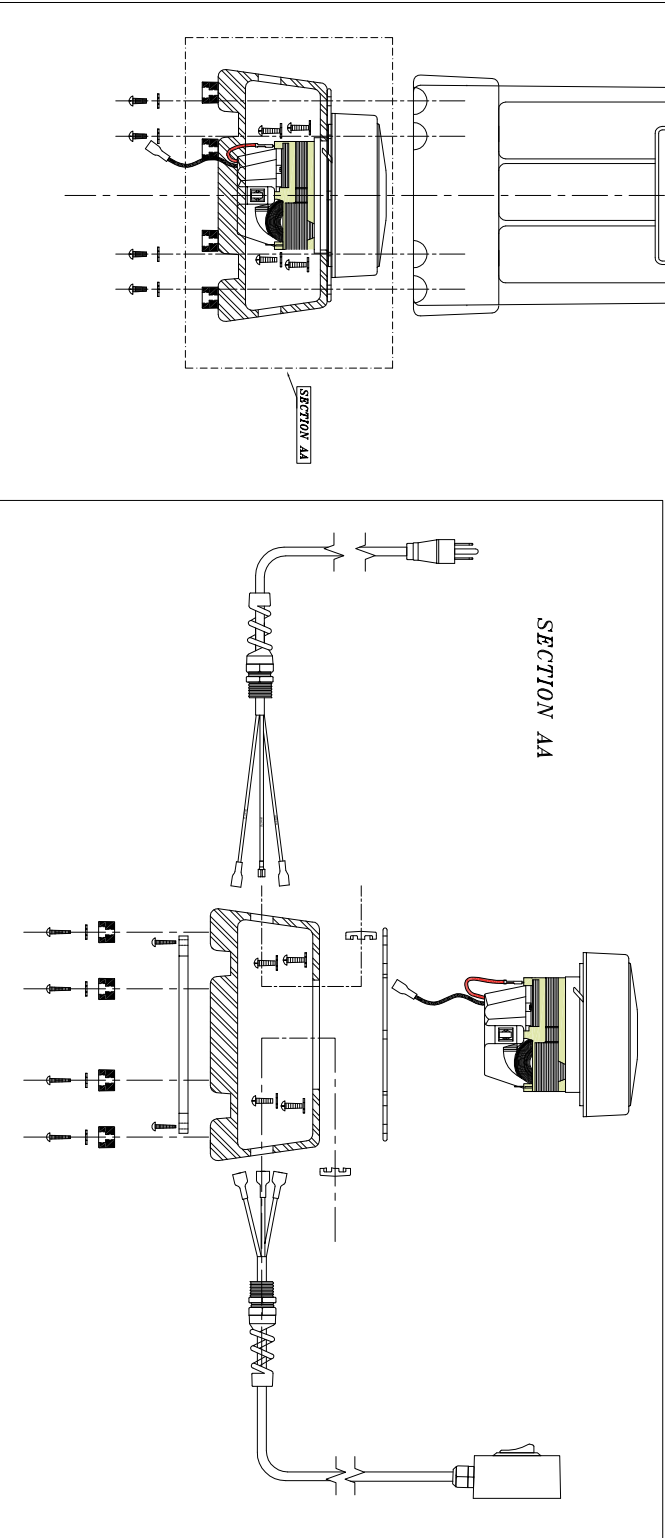
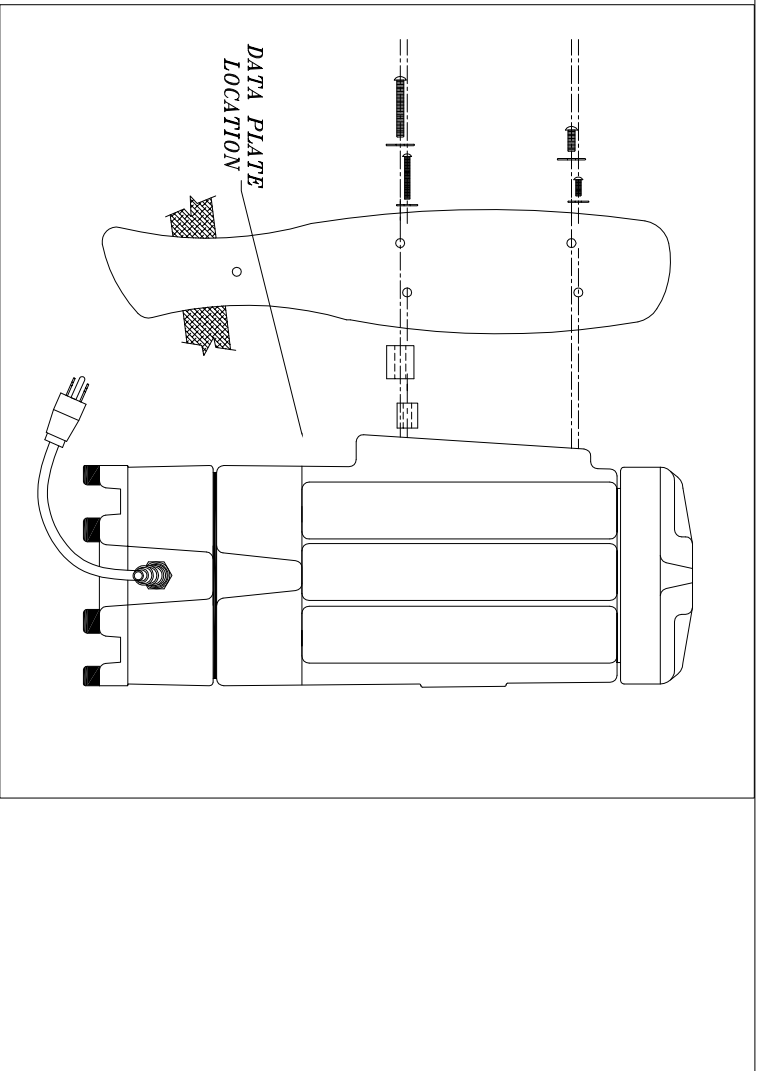
5 YEAR HOUSING WARRANTY

The polyethylene case is warranted to be free from defects in material and workmanship and against breakage in normal use for the period of 5 years from the original date of purchase. All requirements and limitations are the same as stated in the ONE YEAR LIMITED WARRANTY.

These are the sole warranties covering the HARRIER vacuum cleaner. There are no other warranties, expressed or implied. This warranty gives you specific legal rights, and you may have other rights which may vary from state to state.



02/09/2017



| DET. No. | DESCRIPTION | QTY. |
|----------|----------------------------------|------|
| 1 | FLAT WASHER 1.0 INCH | 4 |
| 2 | SPACER NYLON | 2 |
| 3 | BUMPER RECESSED (FEET) | 8 |
| 4 | SCREW .250-20 X 2.0 L ALLEN CAP | 2 |
| 5 | SCREW .250-20 X .750 L ALLEN CAP | 2 |
| 6 | SCREW SHEET METAL | 10 |
| 7 | SCREW PLASTITE | 4 |
| 8 | SCREW 10-24 X .50 L TT | 4 |
| 9 | FLAT WASHER | 16 |

**HARDWARE KIT - BACKPACK
KIT2033**

| DET. No. | DESCRIPTION | QTY. |
|----------|----------------------------------|------|
| 1 | BACKPACK - HARNESS | 1 |
| 2 | SPACER | 2 |
| 3 | SCREW .250-20 X 2.0 L ALLEN CAP | 2 |
| 4 | SCREW .250-20 X .750 L ALLEN CAP | 2 |
| 5 | WASHER FLAT | 4 |

**HARNESS KIT - PACKBACK
KIT2048**

| DET. No. | DESCRIPTION | QTY. |
|----------|-------------------|------|
| 1 | GRILL AIR EXHAUST | 1 |
| 2 | SCREW SHEET METAL | 2 |

**GRILL EXHAUST W/MTC. HDWR. - PACKPACK
KIT2055**

SPADE TERMINALS (3)
TO BE INSTALLED BY KAWK

| DET. No. | DESCRIPTION | QTY. |
|----------|--------------------------|------|
| 1 | PIGTAIL W/TOGGLE SWITCH | 1 |
| 2 | TERMINAL .250 MALE SPADE | 3 |
| 3 | STRAIN RELIEF PLASTIC | 1 |
| 4 | CONDUIT NUT .500" | 1 |

**PIGTAIL W/TOGGLE SWITCH - BACKPACK
KIT1056**

6 QUART
MICRO-LINED
PAPER FILTER BAG
(10 PER PACK)

| DET. No. | DESCRIPTION | QTY. |
|----------|----------------------|------|
| 1 | PAPER BAG - BACKPACK | 1 |

**PAPER BAG REPLACEMENT - BACKPACK
KIT2093-1**

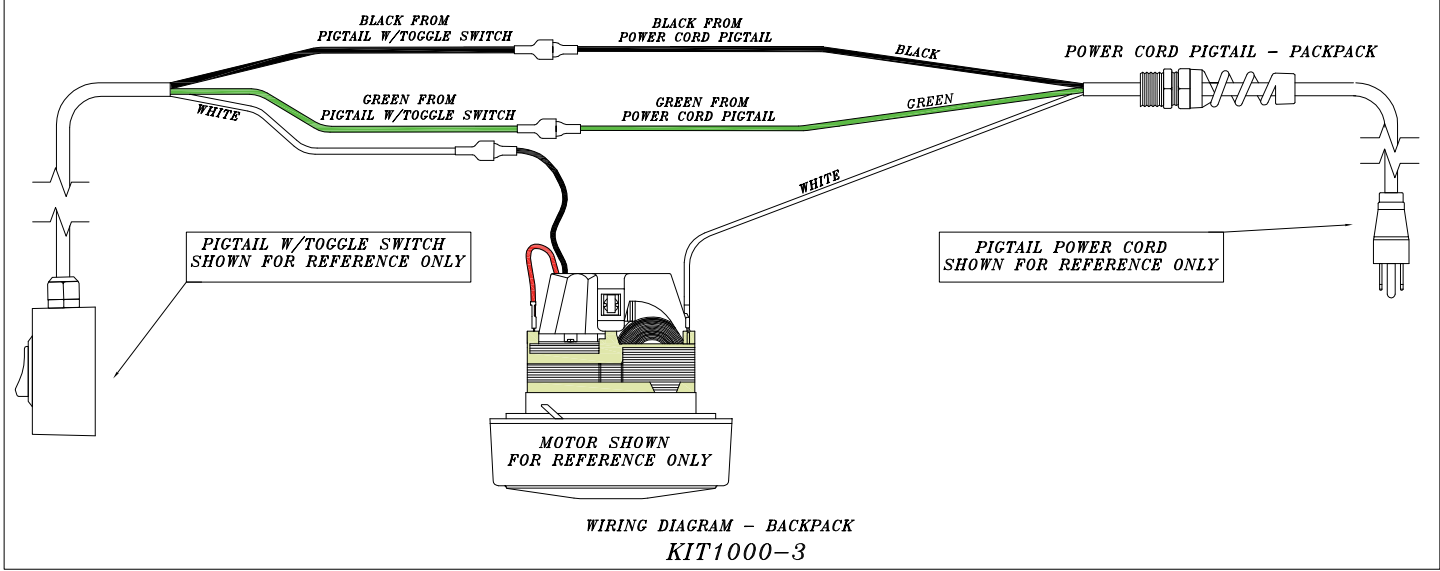
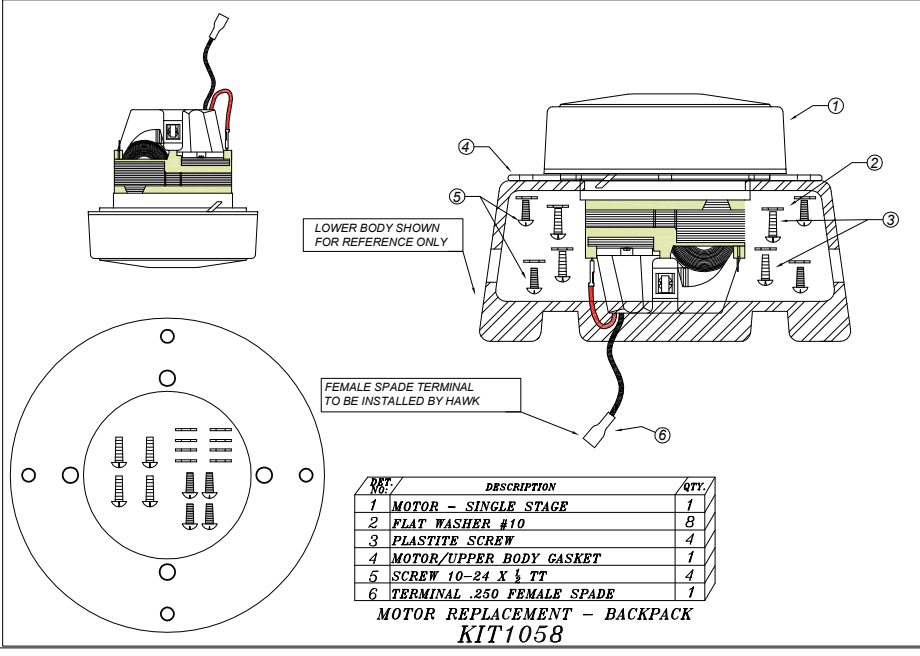
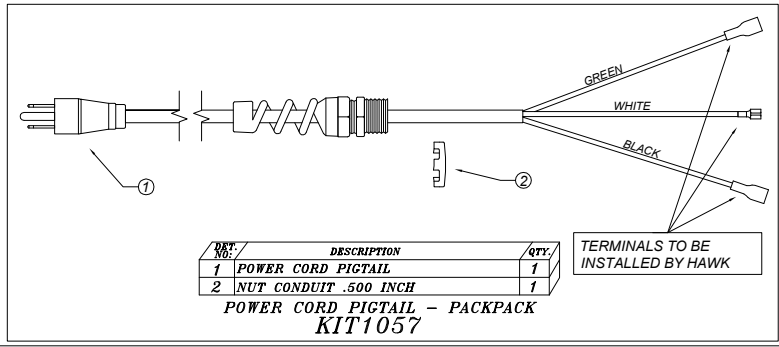
| DET. No. | DESCRIPTION | QTY. |
|----------|--------------------------|------|
| 1 | MOTOR FILTER REPLACEMENT | 1 |

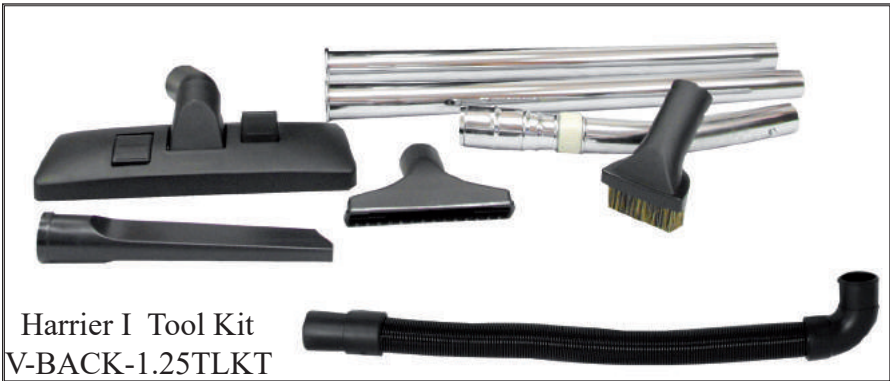
**MOTOR FILTER REPLACEMENT - BACKPACK
KIT2093-2**

(CLOTH BAG)

| DET. No. | DESCRIPTION | QTY. |
|----------|-----------------------|------|
| 1 | CLOTH BAG REPLACEMENT | 1 |

**CLOTH BAG REPLACEMENT - BACKPACK
KIT2093**





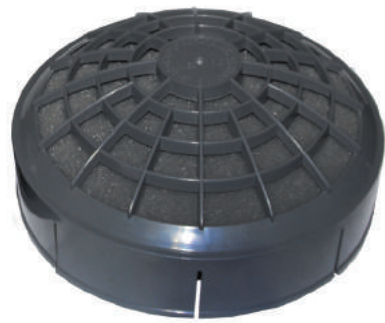
Harrier I Tool Kit
V-BACK-1.25TLKT



Harrier II Tool Kit
V-BACK-1.5TLKT



16-3 Power Cord
VA3150E



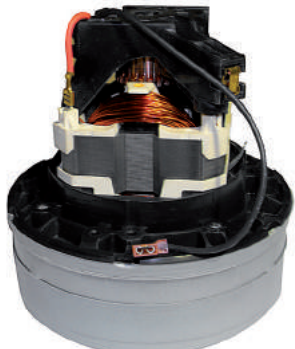
Standard Motor Filter
V-BACK-STDFLT



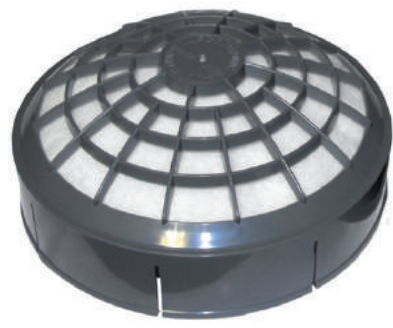
Single Stage Motor 115V
V-BACK-MTR1



Two Stage Motor 115V
V-BACK-MTR2



Two Stage Motor 230V
V-BACK-MTR2-230



Premium Motor Filter
V-BACK-PREMIUMFLT



Cloth Bag
V-BACK-CLTHBAG



Paper Bag
VA005-3 (PACK OF 10)



IMPORTANT!!!
RECORD THIS INFORMATION AND
KEEP IN YOUR FILE:

1. SERIAL NO. _____

2. DATE PURCHASED _____

3. NAME OF DEALER _____

4. DEALER'S ADDRESS _____

HAWK ENTERPRISES INC.

2902 PARK SIX COURT

ELKHART, IN 46514

PHONE: 574-294-1910

FAX: 574-970-0289

ASSEMBLED IN USA

FOR COMMERCIAL USE ONLY